

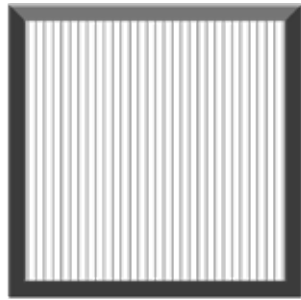
OPTIONS

- 304 Stainless Steel (**Standard**)
 - #4 Satin Finish (**Standard**)
 - OR
 - White Antimicrobial Epoxy Powdercoat Finish
-
- 0.75" Blade Spacing (**Standard**)

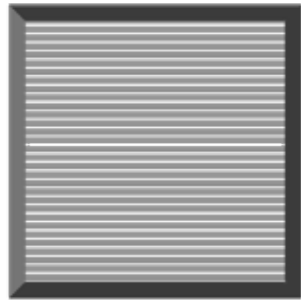
Blade Direction and Angle Options



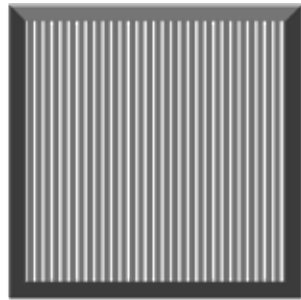
Horizontal @ 0°



Vertical @ 0°



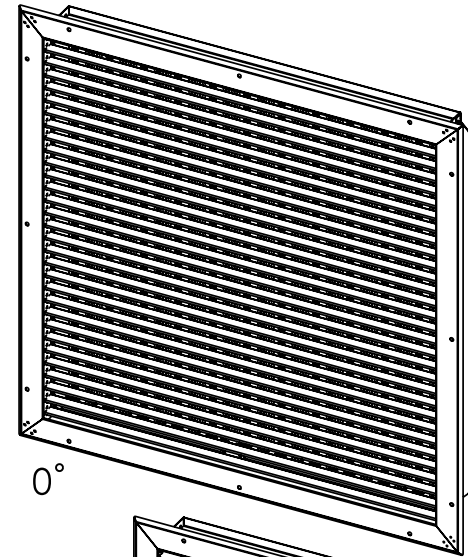
Horizontal @ 45°



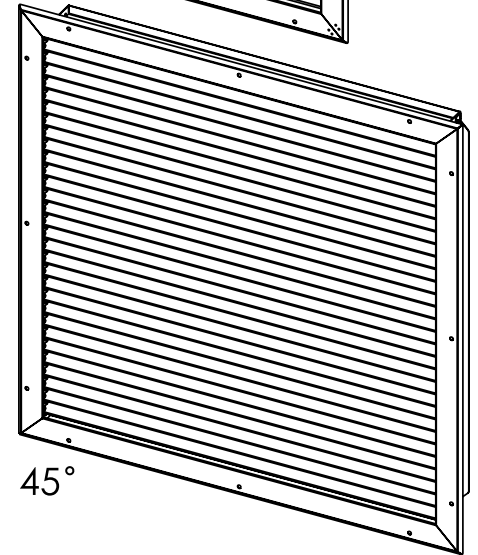
Vertical @ 45°

550 STAINLESS STEEL

SINGLE DEFLECTION RETURN GRILLE SURFACE MOUNT



0°



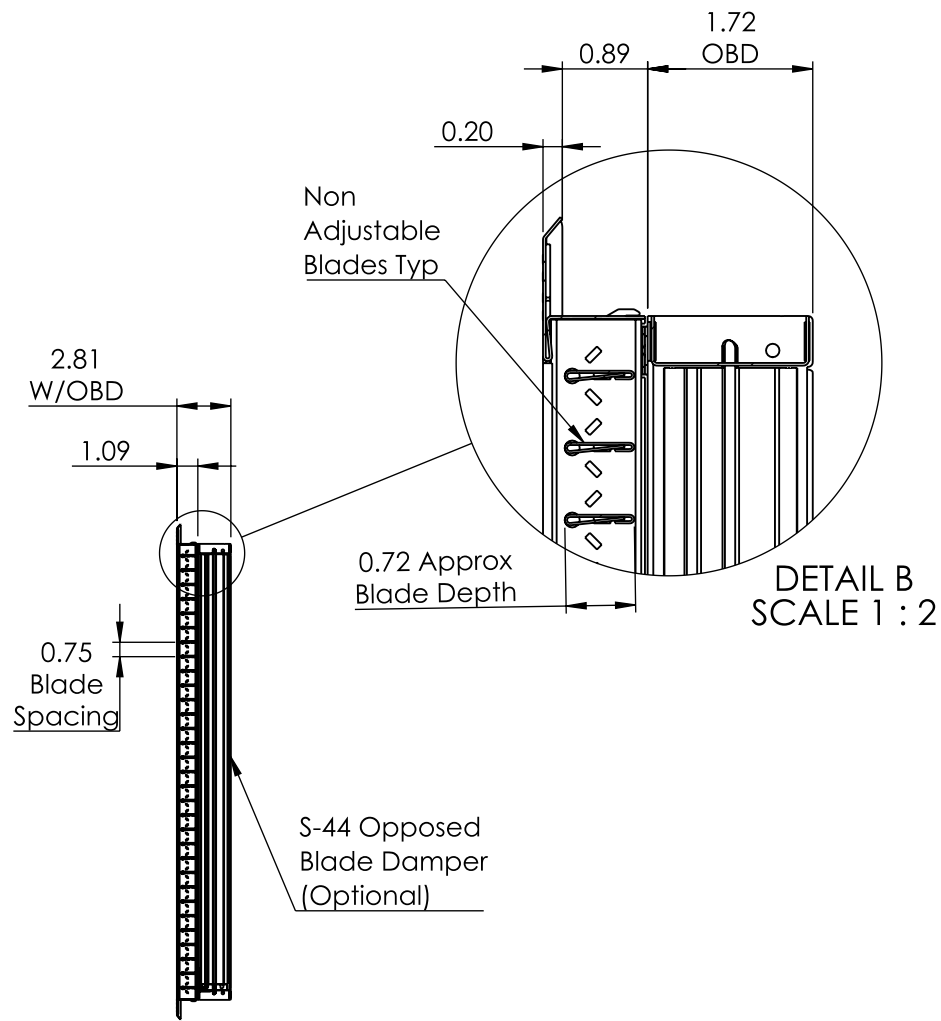
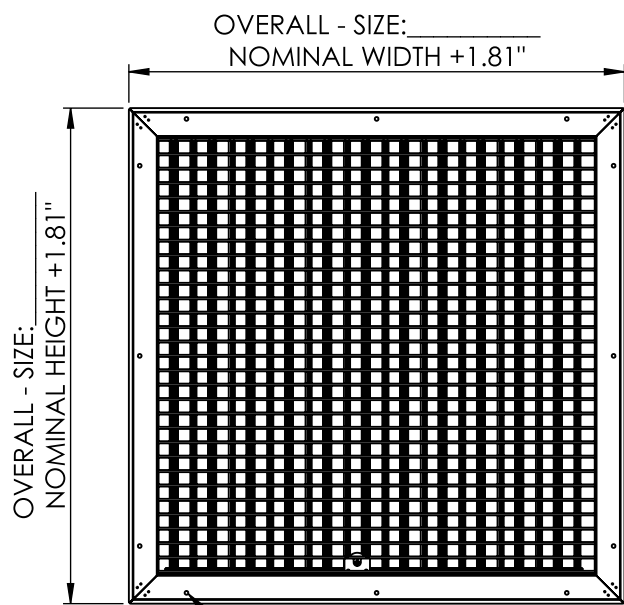
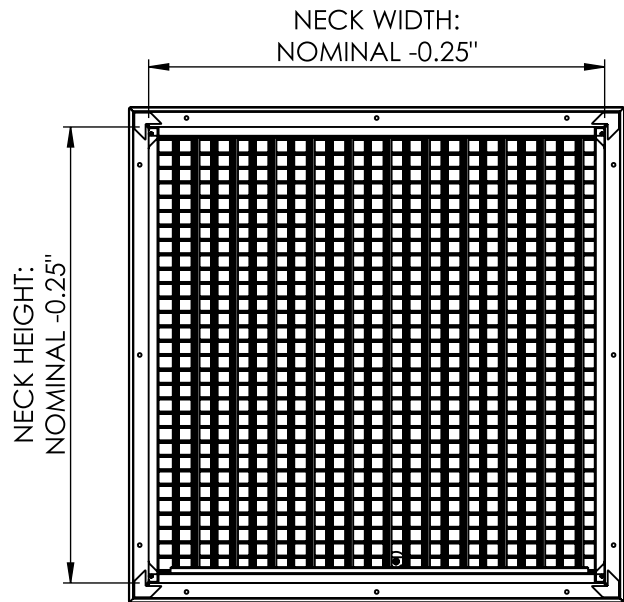
45°

DRAWN AGL	MATERIAL 304SS	JOB NAME	TAG	QTY	REV #
CHKD	FINISH #4 SATIN	ENGINEER	DRAWING NAME 550-0-SURFACE MT 550-45-SURFACE MT		SHT 1/3
APRVD	SIZE	CONTRACTOR			SCL 1:10
					DO NOT SCALE

550 STAINLESS STEEL

SINGLE DEFLECTION RETURN GRILLE

SURFACE MOUNT



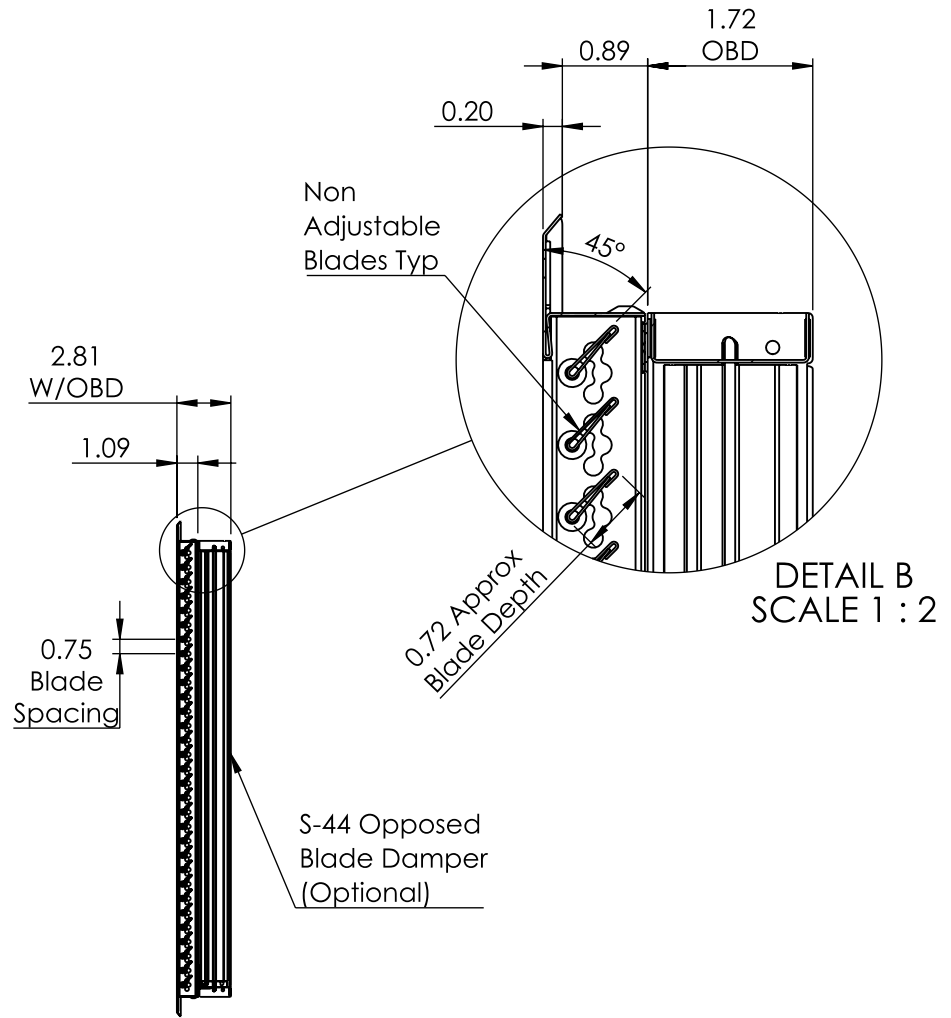
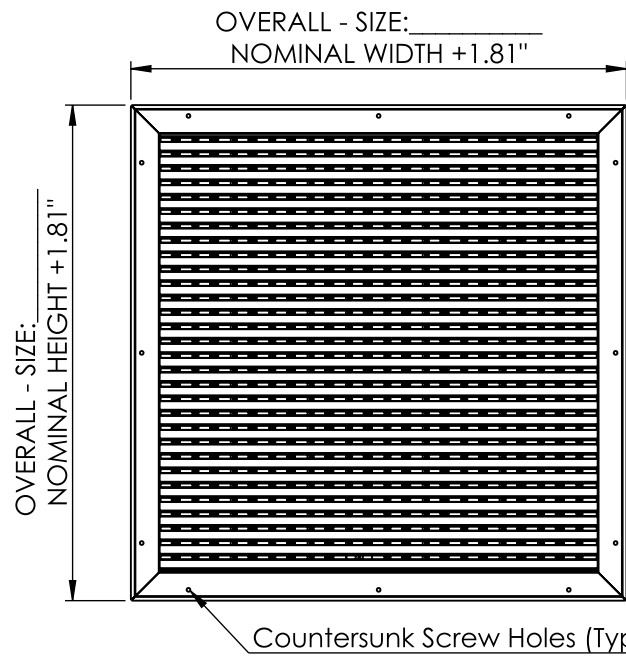
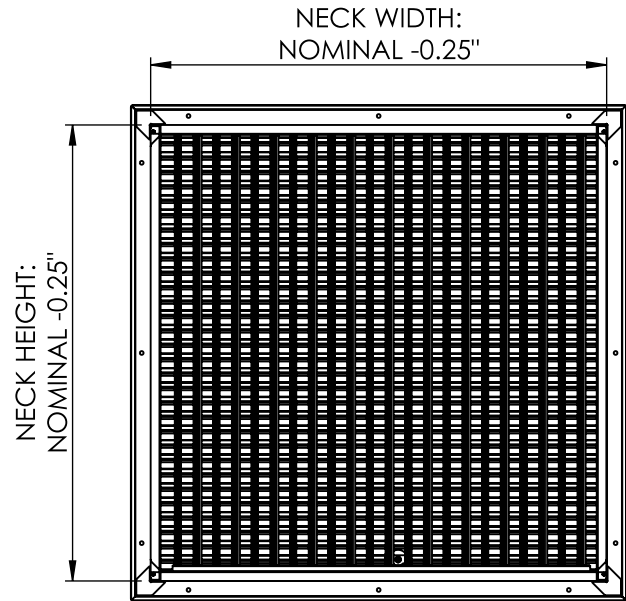
SECTION A-A

DRAWN AGL	MATERIAL 304SS	JOB NAME	TAG	QTY	REV #
CHKD	FINISH #4 SATIN	ENGINEER	DRAWING NAME 550-0-SURFACE MT		SHT 2/3
APRVD	SIZE	CONTRACTOR			SCL 1:10
					DO NOT SCALE

550 STAINLESS STEEL

SINGLE DEFLECTION RETURN GRILLE

SURFACE MOUNT



SECTION A-A



Production Automation Corporation
121 Cheshire Lane, Ste. 400
Minnetonka, MN 55305
(888) 903-0333

DRAWN AGL	MATERIAL 304SS	JOB NAME	TAG	QTY	REV #
CHKD	FINISH #4 SATIN	ENGINEER	DRAWING NAME 550-45-SURFACE MT		SHT 3/3
APRVD	SIZE	CONTRACTOR			SCL 1:10
					DO NOT SCALE