

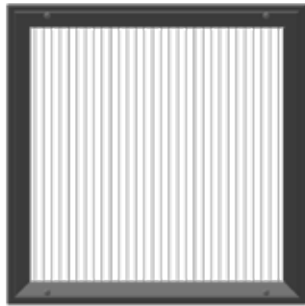
# OPTIONS

- 304 Stainless Steel (**Standard**)
    - #4 Satin Finish (**Standard**)
  - OR
  - White Antimicrobial Epoxy Powdercoat Finish
- 
- 0.75" Blade Spacing (**Standard**)

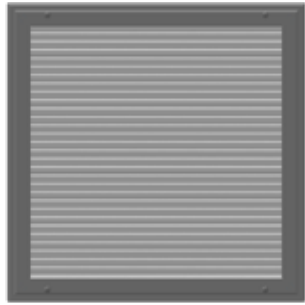
## Blade Direction and Angle Options



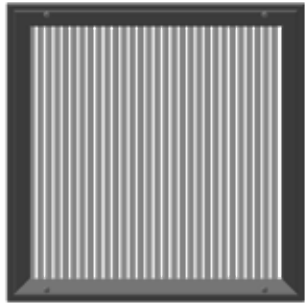
Horizontal @ 0°



Vertical @ 0°



Horizontal @ 45°

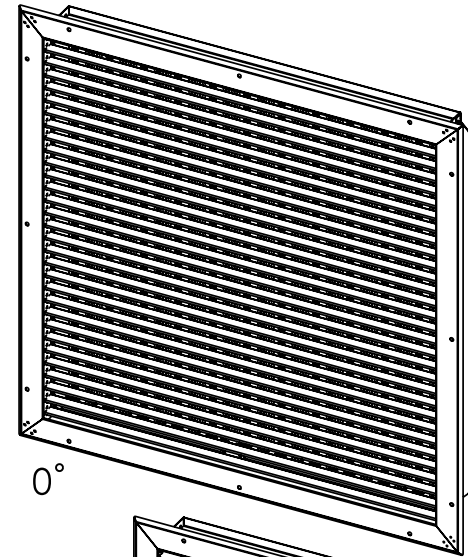


Vertical @ 45°

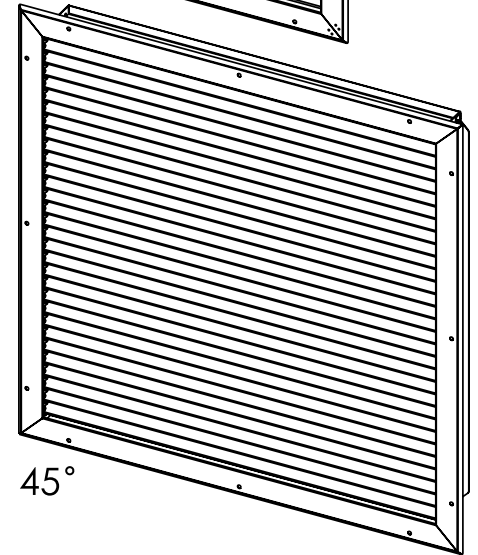
# STAINLESS STEEL

## SSFG 550

NON-HINGED RETURN FILTER GRILLE  
SINGLE DEFLECTION



0°



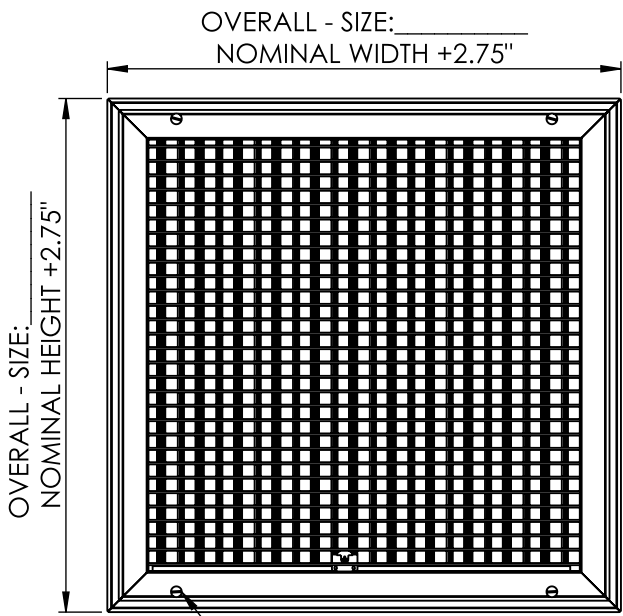
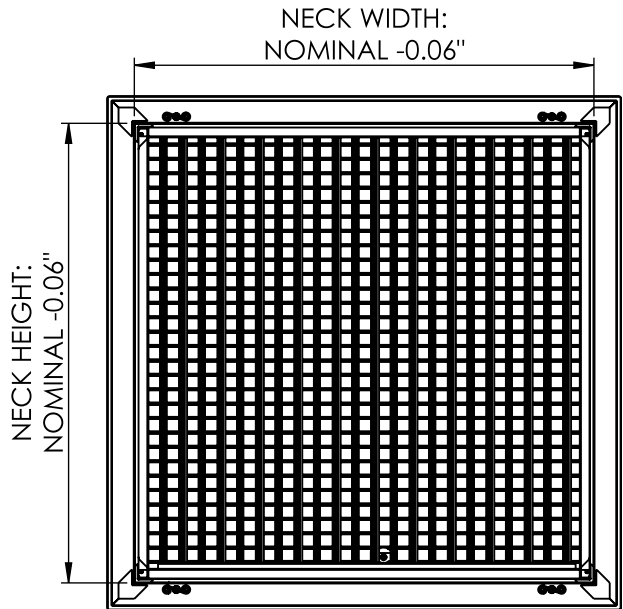
45°

DRAWN AGL	MATERIAL 304SS	JOB NAME	TAG	QTY	REV #
CHKD	FINISH #4 SATIN	ENGINEER	DRAWING NAME SSFG 550-0		SHT 1/3
APRVD	SIZE	CONTRACTOR	SSFG 550-45		SCL 1:10
					DO NOT SCALE

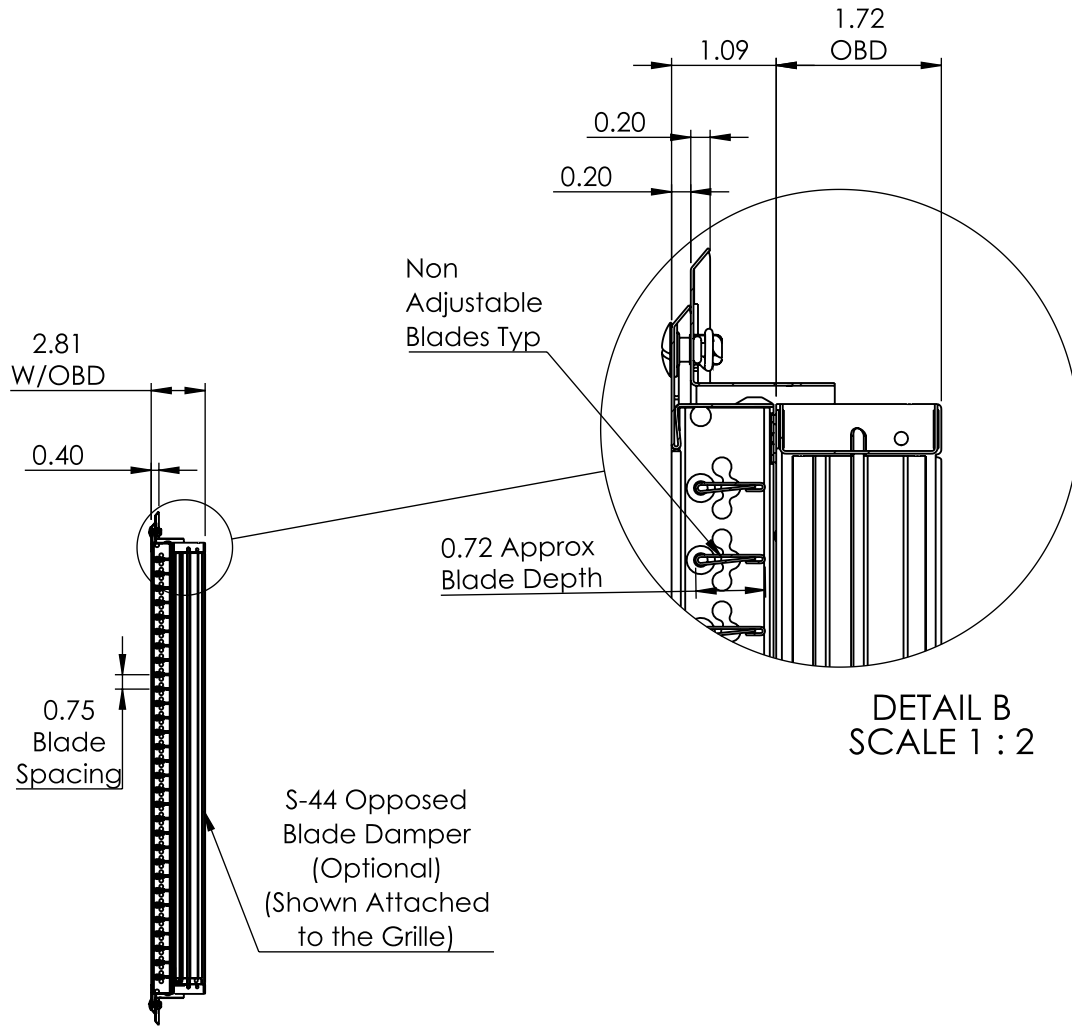
# STAINLESS STEEL

## SSFG 550

### NON-HINGED RETURN FILTER GRILLE SINGLE DEFLECTION



Quarter-Turn Fasteners (Typ)

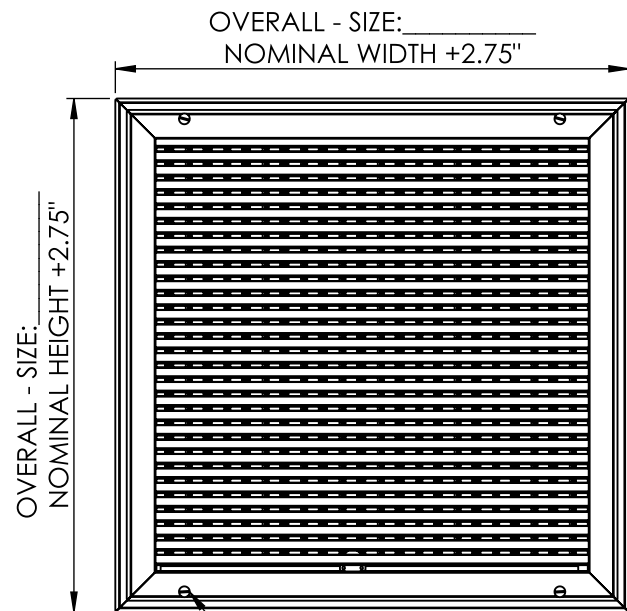
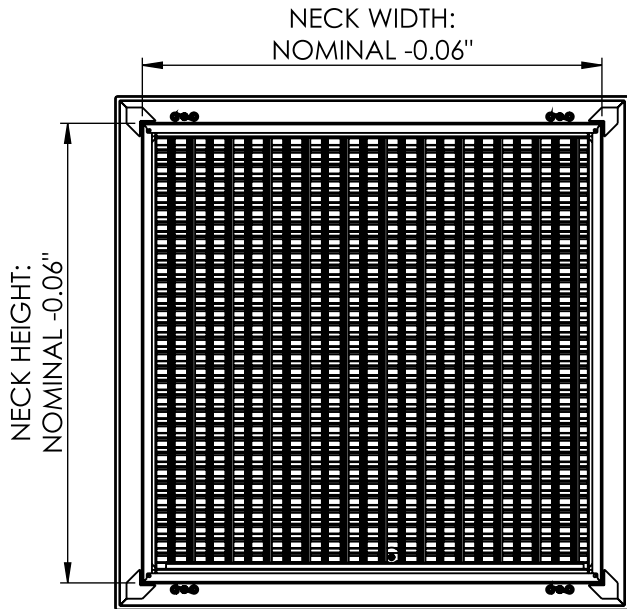


SECTION A-A

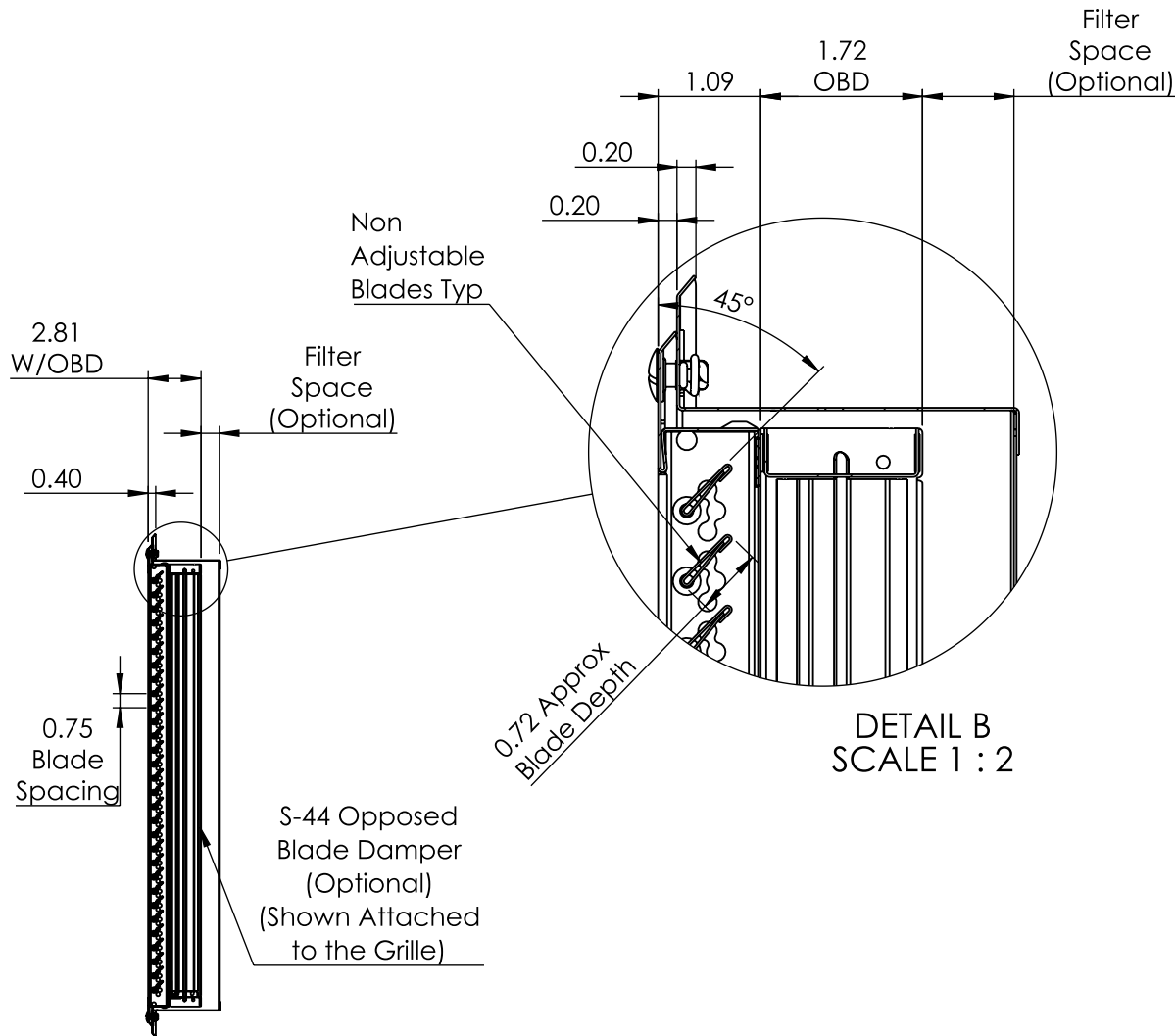
DRAWN AGL	MATERIAL 304SS	JOB NAME	TAG	QTY	REV #
CHKD	FINISH #4 SATIN	ENGINEER	DRAWING NAME SSFG 550-0		SHT 2/3
APRVD	SIZE	CONTRACTOR			SCL 1:10
					DO NOT SCALE

# STAINLESS STEEL

## SSFG 550 NON-HINGED RETURN FILTER GRILLE SINGLE DEFLECTION



Quarter-Turn Fasteners (Typ)



SECTION A-A



Production Automation Corporation  
121 Cheshire Lane, Ste. 400  
Minnetonka, MN 55305  
(888) 903-0333

DRAWN AGL	MATERIAL 304SS	JOB NAME	TAG	QTY	REV #
CHKD	FINISH #4 SATIN	ENGINEER	DRAWING NAME SSFG 550-45		SHT 3/3
APRVD	SIZE	CONTRACTOR			SCL 1:10
					DO NOT SCALE