

OPTIONS

304 Stainless Steel (**Standard**)

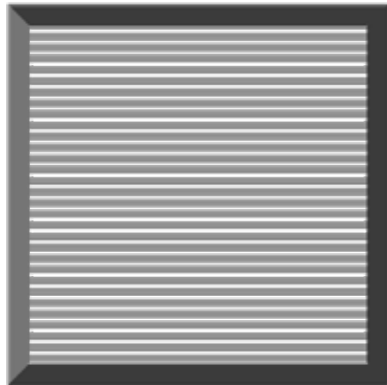
#4 Satin Finish (**Standard**)

OR

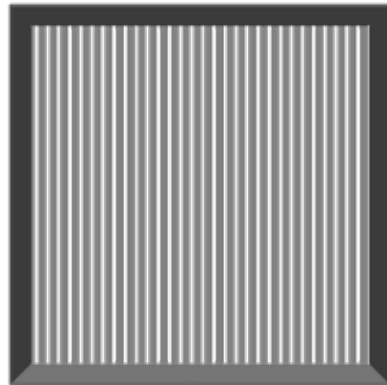
White Antimicrobial Epoxy Powdercoat Finish

0.75" Blade Spacing (**Standard**)

Blade Direction



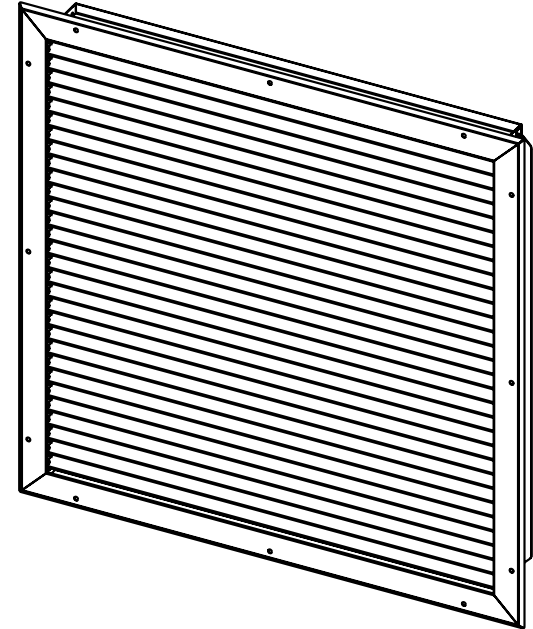
Horizontal



Vertical

150 STAINLESS STEEL

SINGLE DEFLECTION SUPPLY GRILLE
SURFACE MOUNT

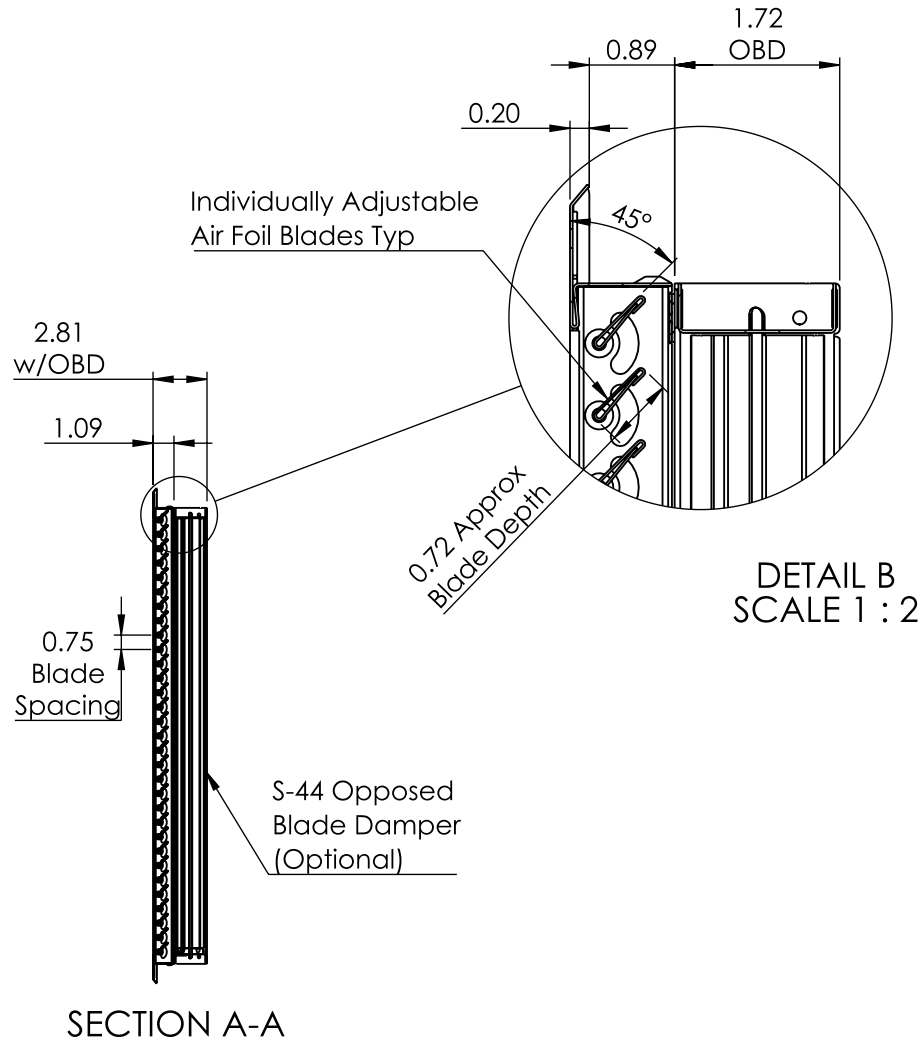
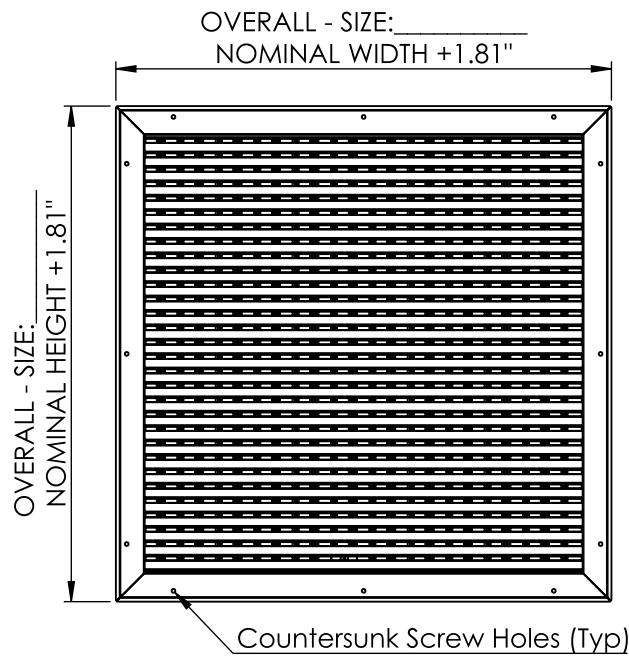
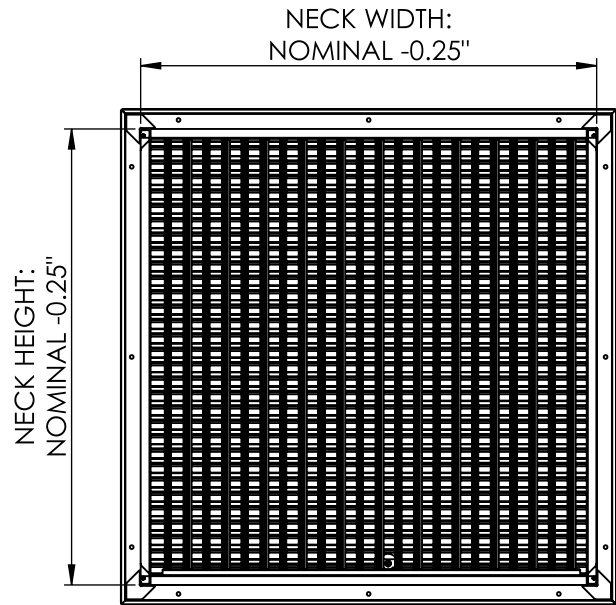


Production Automation Corporation
121 Cheshire Lane, Ste. 400
Minnetonka, MN 55305
(888) 903-0333

150 STAINLESS STEEL

SINGLE DEFLECTION SUPPLY GRILLE

SURFACE MOUNT



Production Automation Corporation
121 Cheshire Lane, Ste. 400
Minnetonka, MN 55305
(888) 903-0333